



## SiC-based UV photodiode

Model: SSL-ABC-3535MQC

### General Features:

- 
- 
- 
- 
- 

### Applications:

### Specifications:

Parameters	Symbol	Value	Unit
------------	--------	-------	------

Maximum ratings

General characteristics (25 °C)

Spectral response characteristics



ir

I

C

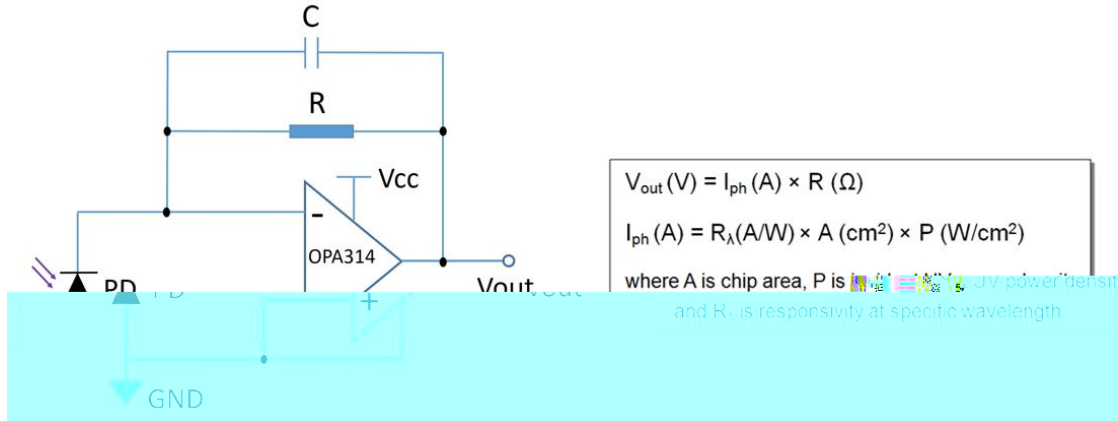
oo



# SiC-based UV photodiode

Model: SSL-ABC-3535MQC

## Application circuit:



## Evaluation circuit board:

